



# Double Ridged Horn Antenna

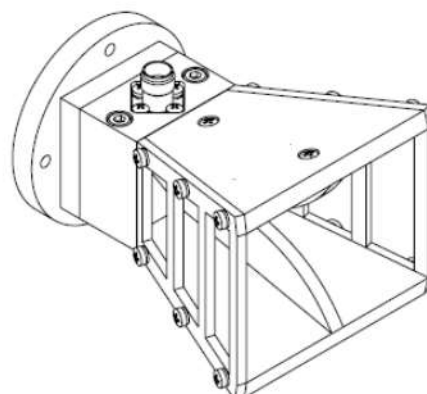
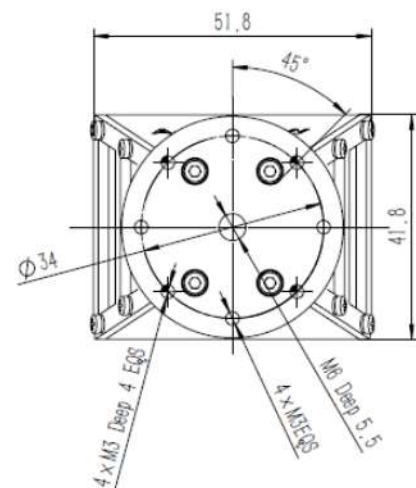
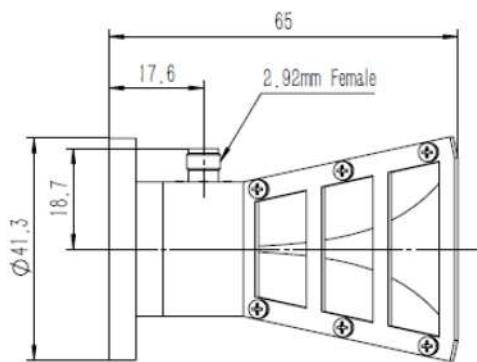
## Specification

### Model : MDH0440

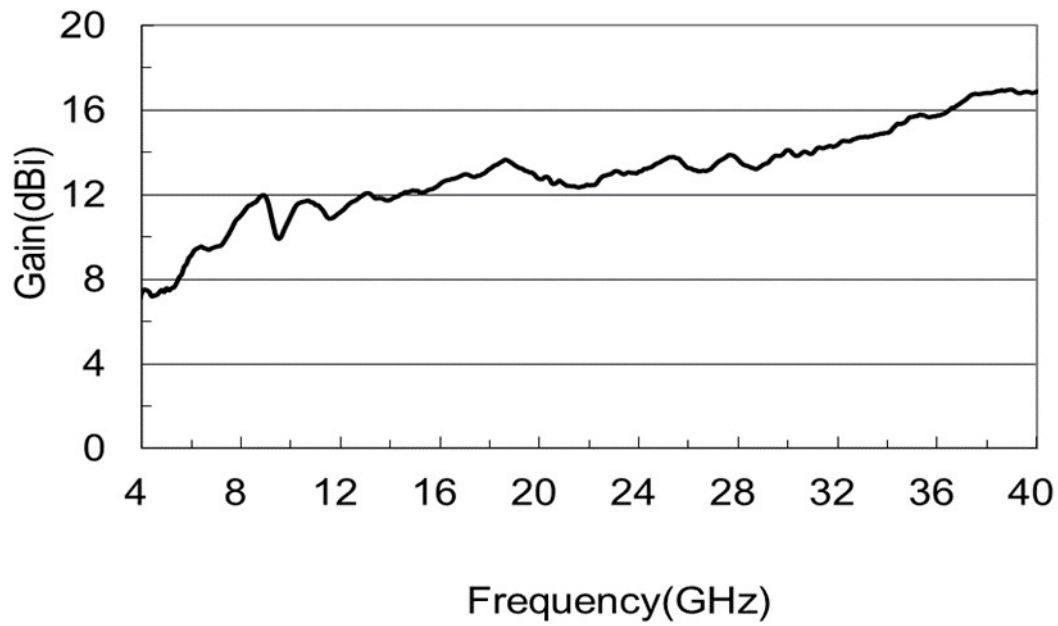


Frequency Range(GHz)	4 - 40
Gain(dB)	13 Typ.
Polarization	Linear
VSWR	1.5:1 Typ.
Connector	2.92mm (K)- Female or 2.4mm-Female
Power Handling(W)	2.92mm-Female : 20 Max. CW 2.4mm-Female : 10 Max. CW
Net Weight(Kg)	0.1 Around
Size(mm)	65 x 51.8 x 41.8 Typ.

## Outline Drawing (mm)



## Antenna Gain (typ.)



## Radiation Patterns (typ.)

